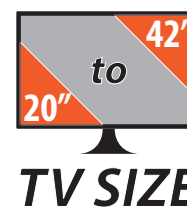
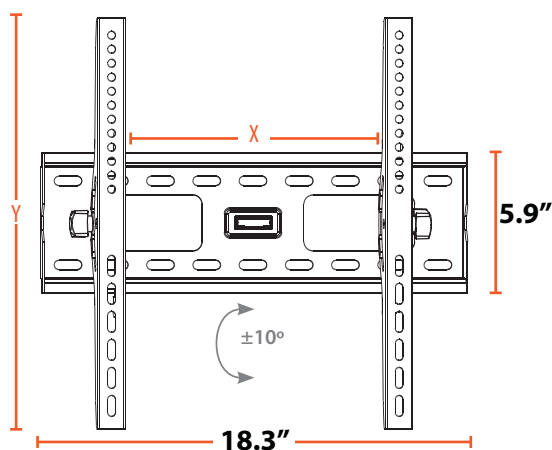


SBT44

Tilt Wall Bracket



- VESA mounting pattern: up to 400 x 400mm
- 2½" flush mount from wall
- Open plate provides easy access for in-wall wiring
- Integrated bubble level
- Security locking screws
- Fits most 20" to 42" TV's
- Maximum load 165 LBS
- Tilt angle: 10°



X = Min: 2" (50mm), Max: 16.5" (420mm) Usable Width
Y = Min: 3" (75mm), Max: 15.5" (400mm) Usable Height

distributed in Canada by daveco (514) 738-2112 info@davecohifi.com
distributed in the USA by OMAGE USA 1-877-212-3223 info@omageusa.com
DNPR 198-SBT44

www.davecohifi.com

SONORA[®]
STANDS STRONG

SBT44