

S43E41N

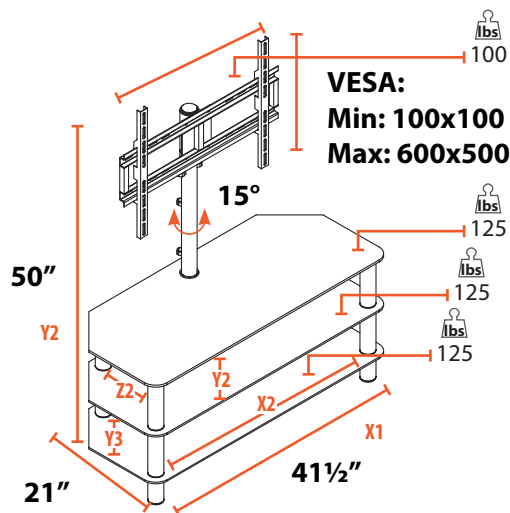
Metal and Glass Stand

- Plasma/LCD bracket holds up to 100lbs
- Easy swivel function up to 15° left/right
- 8mm tempered black glass top shelf
- 6mm tempered black glass lower shelves
- Cable management clips



S43E41N

AVAILABLE COLOR:



- X1 = 41½" Unit width
- X2 = 35¼" Usable Shelf Width
- Y1 = 50" Unit height
- Y2 = 7½" Usable Shelf Height
- Y3 = 7" Usable Shelf Height
- Z1 = 17¼" Usable Shelf Depth
- Z2 = 13¾" Usable Shelf Depth

S43E41N

distributed in Canada by daveco (514) 738-2112 info@davecohiFi.com
distributed in the USA by OMAGE USA 1-877-212-3223 info@omageusa.com
DNPR 193

www.davecohiFi.com

SONORA®
STANDS STRONG