

S59V60



S59V60B
(Shown with glass doors)

- 35" high
- Wood and glass doors (both included for middle section)
- Real wood Veneer
- Enduring classic design
- Three closed cabinets
- Cable management
- Adjustable shelves behind all doors



S59V60L
(Shown with wood doors)

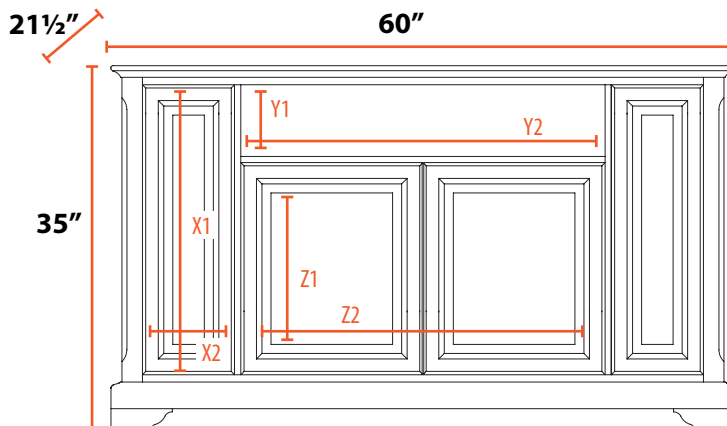
AVAILABLE COLORS



Dark Brown (B)



Light Brown (L)



- X1 = 28" Usable Height
- X2 = 9" Usable Shelf Width
- Y1 = 7" Usable Shelf Height
- Y2 = 35" Usable Shelf Width
- Z1 = 20" Usable Height
- Z2 = 35" Usable Shelf Width

S59V60