

S60V64



S60V64B

- All wood construction
- Easy Cam-lock Assembly
- Shelves Adjustable by 3x1½" increments
- Adjustable Door Hinges
- Cable management

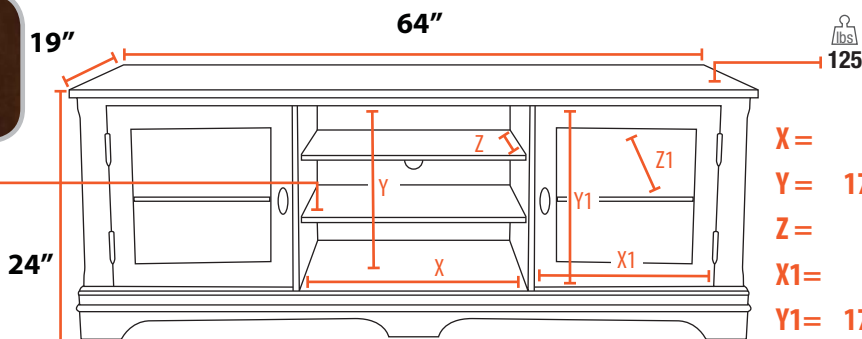
AVAILABLE COLOR



Dark Brown (B)



30



- X = 22" Usable Shelf Width
- Y = 17½" Usable Shelf Height
- Z = 18" Usable Shelf Depth
- X1 = 17" Usable Cabinet Shelf Width
- Y1 = 17½" Usable Cabinet Shelf Height
- Z1 = 17¾" Usable Cabinet Shelf Depth

S60V64

distributed in Canada by daveco (514) 738-2112 info@davecohifi.com
distributed in the USA by OMAGE USA 1-877-212-3223 info@omageusa.com

DNPR152 - C

SONORA[®]
STANDS STRONG
www.davecohifi.com