

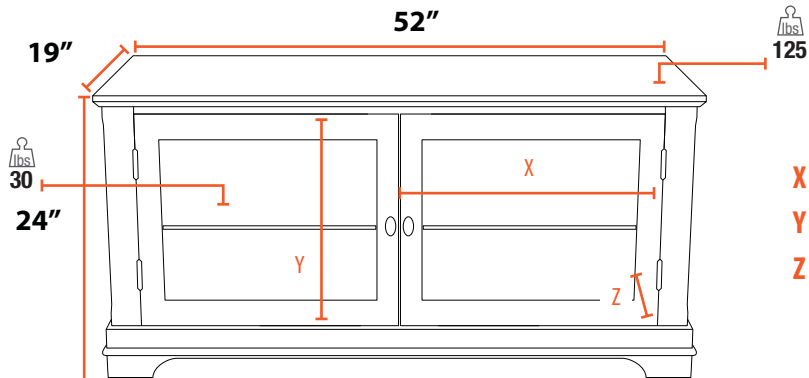
S60V52



S60V52B

- All wood construction
- Easy Cam-lock Assembly
- Shelves Adjustable by 3x1½" increments
- Adjustable Door Hinges
- Cable management

AVAILABLE COLOR



- X = 22¼" Usable Shelf Width
- Y = 17½" Usable Shelf Height
- Z = 17" Usable Shelf Depth

S60V52

distributed in Canada by daveco (514) 738-2112 info@davecohifi.com
distributed in the USA by OMAGE USA 1-877-212-3223 info@omageusa.com

DNPR152 - B

SONORA®
STANDS STRONG
www.davecohifi.com