


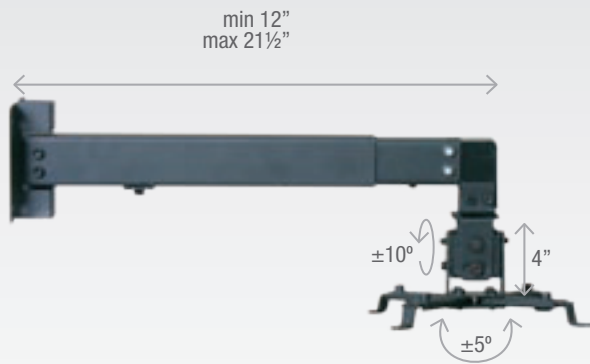
extendable projector bracket

PJ-44-N

Versatile and equipped with a variety of adapter spacers, the Sonora PJ44 offers an ideal solution for mounting a projector on the wall or ceiling.

CEILING OR WALL-MOUNT PROJECTOR BRACKET

Maximum bearing capacity 44  lbs



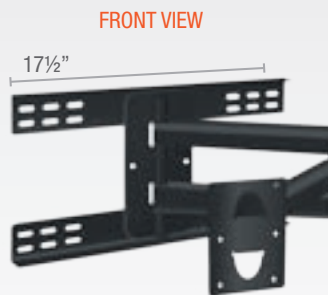
PJ-44 / XW3-80

XW3-80 EXTENSION BRACKETS

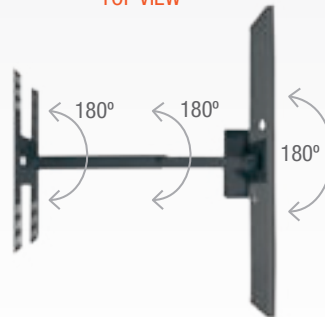
For Plasma/LCD installations requiring extension from the wall, the XW3-80 provides up to a 24" draw and fully variable, three pivot point, movement. While in the case of a ceiling mount, the XC1-80 is the perfect solution to easily and securely mount your equipment in place.

The XW3-80 and XC1-80 work in conjunction with all models of the PW and PWT series. It is simply a matter of choosing the most appropriate model and size for the job at hand.

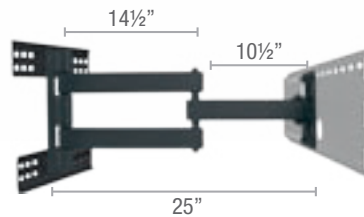
XW3-80-N EXTENDABLE WALL ARM BRACKET



TOP VIEW




SIDE VIEW



[Click here to see new improved model](#)

XW3 / XC1-80

Maximum bearing capacity 165  lbs

Recommended add-on Plasma/LCD Brackets:
PWT-42, PW-42, PWT-63, PW-63, PWT-70, and PW-70.