







### WB-15M

 <p><b>15 lbs</b></p>	 <p>Swivel ±180°</p>
	 <p>Tilt ±5°</p>

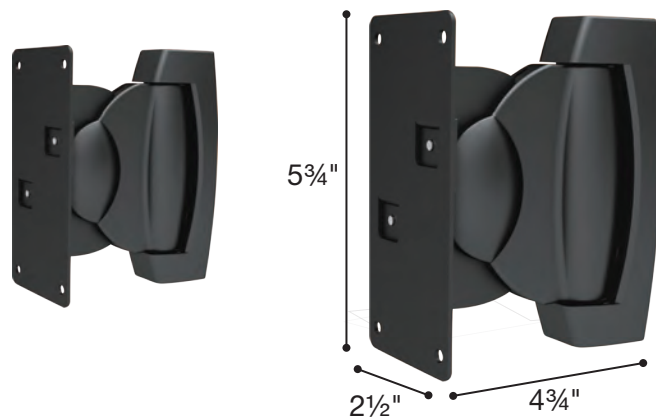
- Single Stud Mount
- Metal Construction with Easy Adjustment Knobs



### WB-30M

 <p><b>30 lbs</b></p>	 <p>Swivel ±120°</p>
	 <p>Tilt ±20°</p>

- Single Stud Mount
- Security Locking Bolt
- Metal Construction with Hardware Covers



### WB-55C

 <p><b>55 lbs</b></p>	 <p>Swivel ±360°</p>
	 <p>Tilt ±10°</p>

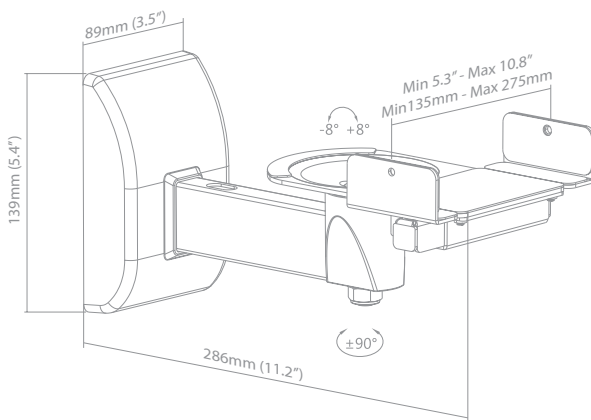
- Single Stud Mount
- Side Clamping with Locking Thumb Screws
- Metal Construction with Hardware Covers



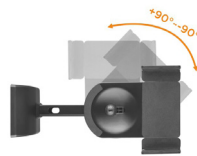
# UNIVERSAL SPEAKER BRACKETS

## SPEAKER WALL MOUNT

WB33C



Adjustable bracket fits most common small speaker cabinet sizes.



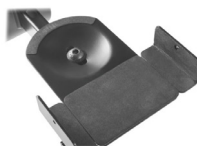
Effortless 180° swiveling ensures better listening experience.



Effortless tilt mechanism contributes to the quick and easy adjustments



Cable management is designed for an organized appearance.



Non-slip padded bracket provides a firm grip while protecting the speaker from scuffs or scratches.