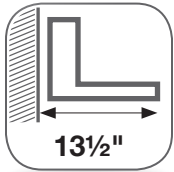
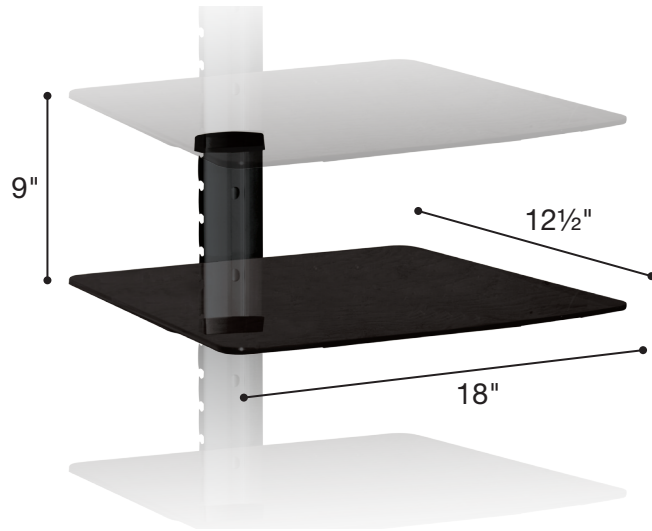


SU22



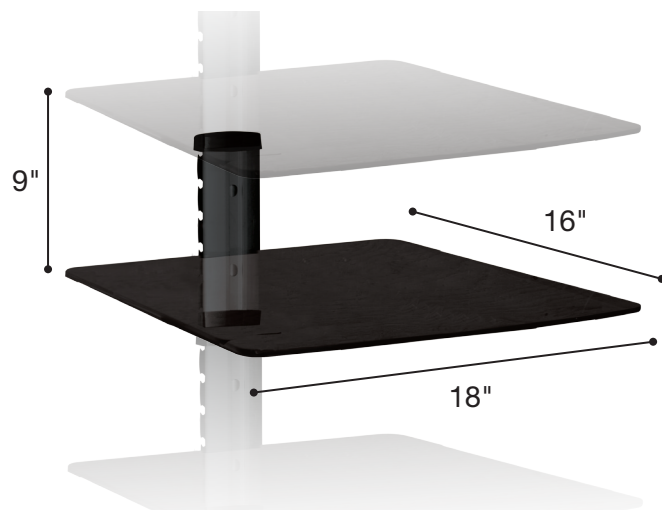
- Single Stud Mount
- Vertically Adjustable Glass Shelf
- Stackable
- Wire Management



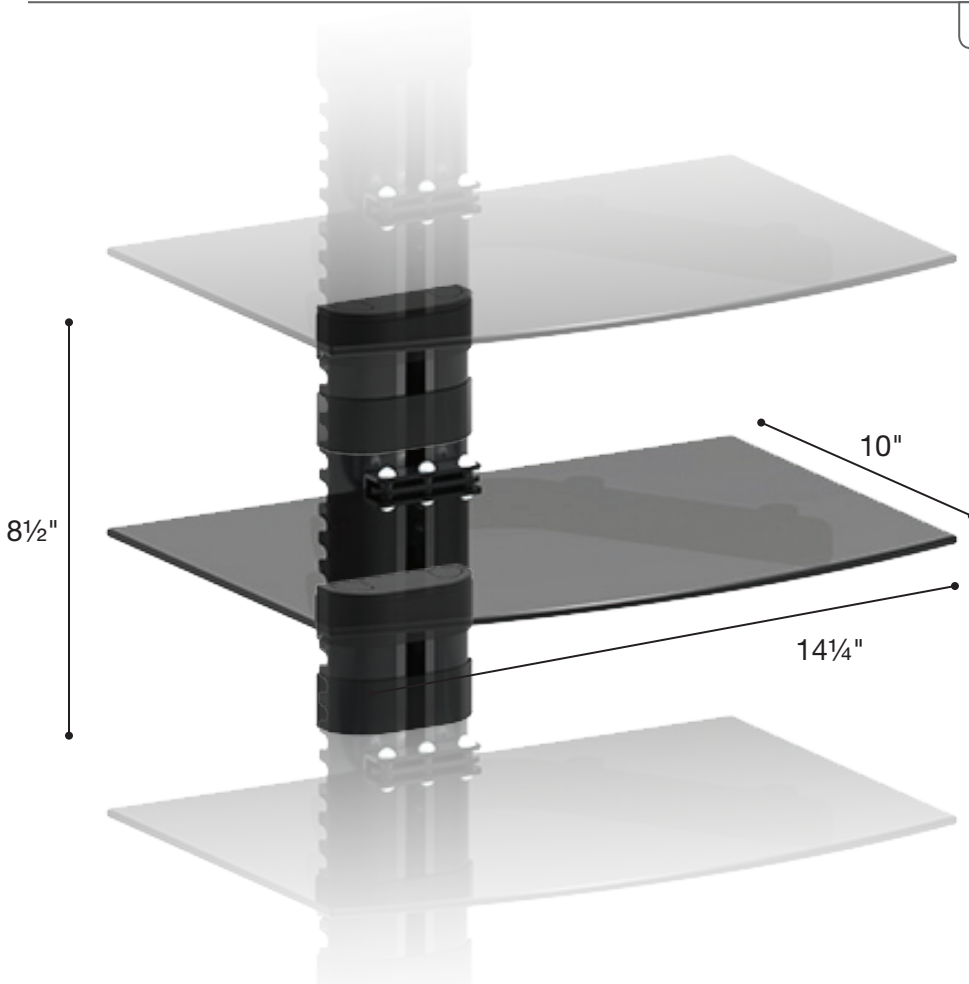
SU35



- Single Stud Mount
- Vertically Adjustable Glass Shelf
- Stackable
- Wire Management

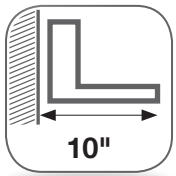


SU18



Can be stacked

Designed for small light components



- DVD/STB Wall Mount
- 5mm Thick Tempered Glass Can Hold Up To 8kg/17.6lbs
- Slim 10" Profile Works Well with Small Components Below Ultra Thin Flat Panel TVs
- 7" Vertical Adjustment Ensures Shelf is at the Perfect Height
- Integrated Channels for Easy Power Cable and Signal Wire Management

