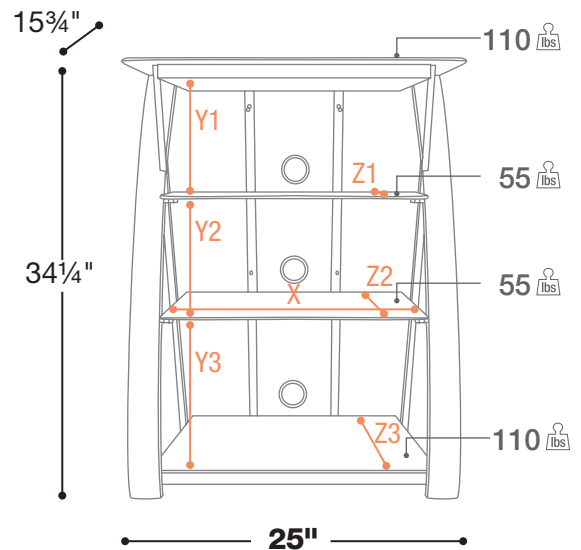




- Modern Curved Wood Design
- Four Tempered Dark Glass Shelves
- Deeper Bottom Shelf for Bigger Components
- Wire Management



Frames		Shelf
B Dark Brown	N Black	D Dark Glass

- X = 19 3/4" Usable Shelf Width
- Y1 = 9" Usable Shelf Height
- Z1 = 15 1/4" Usable Shelf Depth
- Y2 = 9" Usable Shelf Height
- Z2 = 16 3/4" Usable Shelf Depth
- Y3 = 11 1/2" Usable Shelf Height
- Z3 = 18 1/4" Usable Shelf Depth