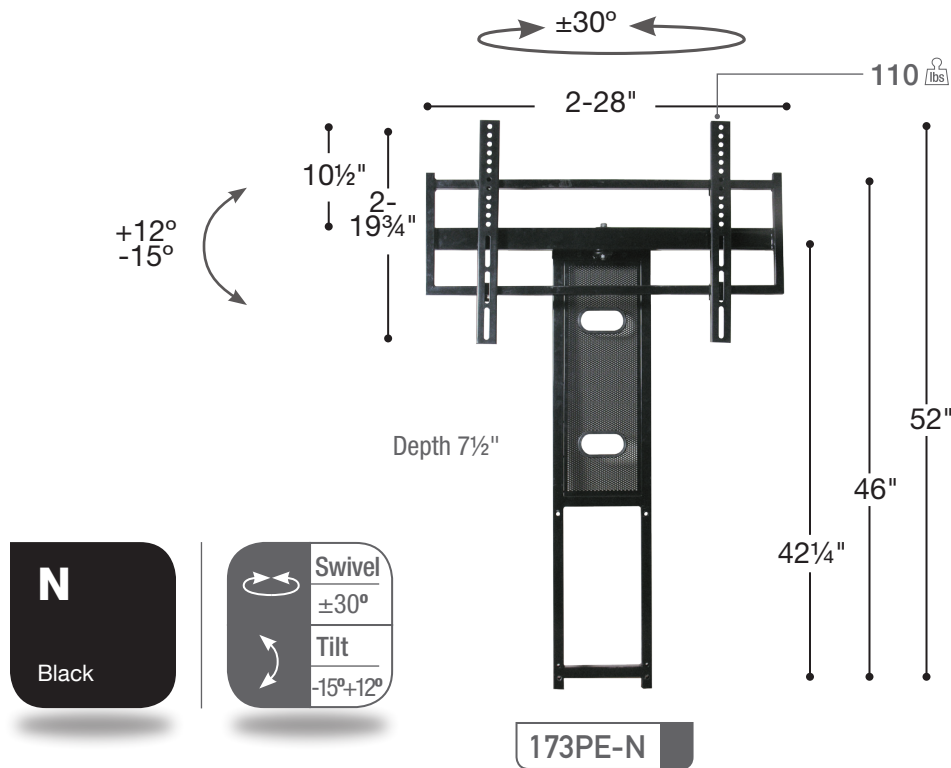


VESA 50x50 to 460x700mm



- Full Metal Construction
- Compatible with models 173 Series, 190 Series, S53, S67, S68 and SH11

N
Black

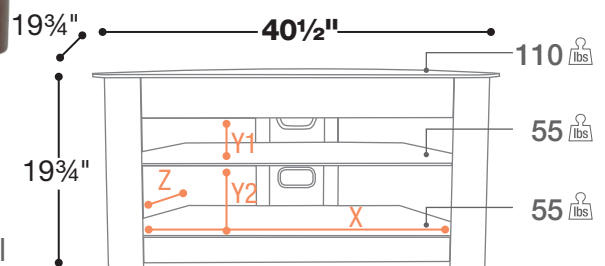
Swivel
±30°
Tilt
-15°+12°

173PE-N



- Real Wood Front
- Sturdy Metal Frame
- Middle shelf is adjustable by three 1" increments
- Wire Management

173PL40-D-MB 40 1/2"



Frames

MB
Medium Brown

N
Black

Shelf

D
Dark Glass

Optional



173PE-N

See page 16

- X = 32" Usable Shelf Width
- Y1 = 4" Usable Shelf Height
- Y2 = 6 3/4" Usable Shelf Height
- Z = 17" Usable Shelf Depth