

Open back wall bracket

LOW PROFILE



BUBBLE LEVEL METER



TWO PADLOCKS INCLUDED



SAVO SERIES - PLASMA / LCD BRACKETS

New to the Sonora line of products, SAVO is a UL approved, wall extension bracket that is capable of extending up to 20 inches from the wall. Designed for easy mounting, the SAVO bracket is based on a lateral, seven-point, variable position wall plate that securely bolts to two wall studs. An accordion style, double-extension arm with a horizontal level tilting head folds out from the wall plate to facilitate viewing from all parts of the room.




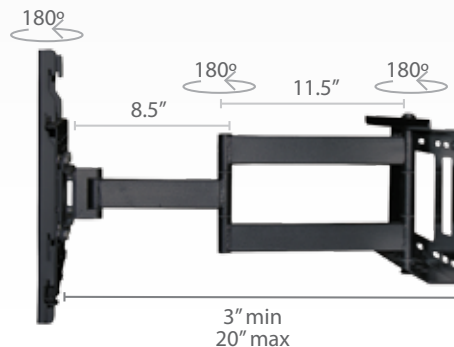
VARIABLE SEVEN POINT
CENTERING POSITION
in 7, 1" increments



ACCORDION STYLE
three pivot point arms

SAVO

Maximum bearing capacity 165 



Recommended add-on Plasma/LCD Brackets:
SO43, SOT43, SO64, SOT64, SO96, and SOT96.

SAVO