

# open back wall brackets

LOW PROFILE



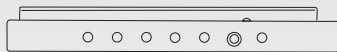
BUBBLE LEVEL METER



TWO PADLOCKS INCLUDED



VARIABLE SEVEN POINT CENTERING POSITION in 7, 1" increments



## SO / SOT SERIES - OPEN BACK PLASMA / LCD BRACKETS

Sonora is pleased to introduce the SO and SOT series of UL approved, open-back Plasma and LCD brackets. All models feature convenient bubble level meters and large cable management cutouts that allow the brackets to be installed over electrical and custom wire wall plates. The fixed position SO boasts a low 1.2 inch profile, while the adjustable SOT is only 3 inches deep, despite having a 5° up to 15° down tilt range. To ensure a safe and secure installation, each unit features a simple locking system that includes padlocks.

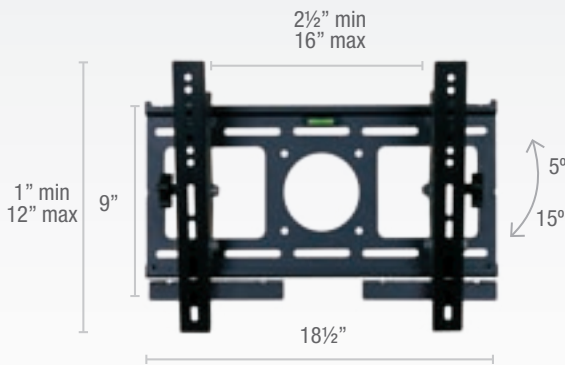


ACCORDION STYLE three pivot point arms

### TILT

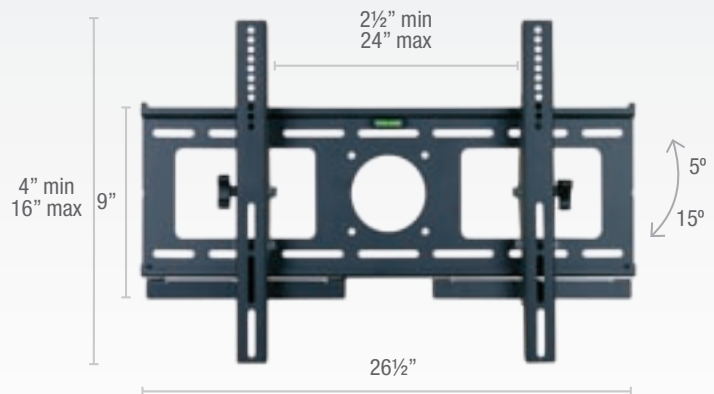
#### SOT43

Maximum bearing capacity 165 lbs  
Accommodates up to VESA 400 x 300



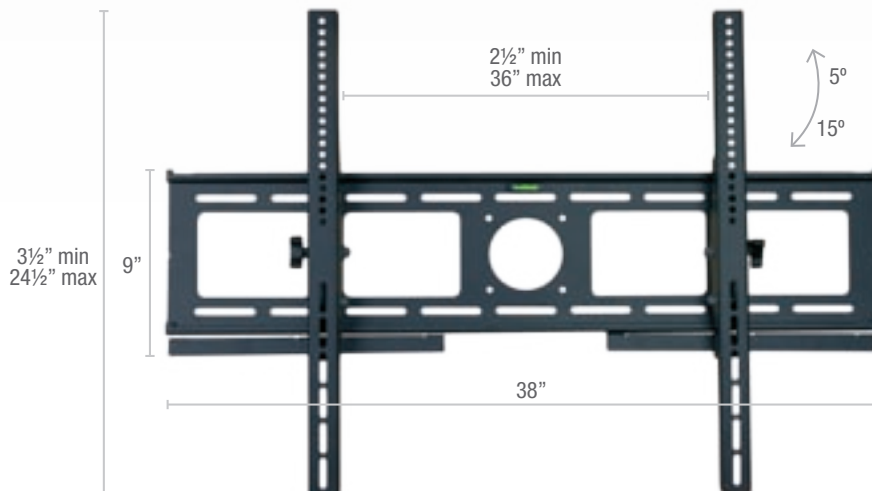
#### SOT64

Maximum bearing capacity 165 lbs  
Accommodates up to VESA 600 x 400



#### SOT96

Maximum bearing capacity 165 lbs  
Accommodates up to VESA 900 x 600



SO/SOT