

open back wall brackets

LOW PROFILE



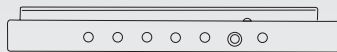
BUBBLE LEVEL METER



TWO PADLOCKS INCLUDED



VARIABLE SEVEN POINT CENTERING POSITION
in 7, 1" increments



SO / SOT SERIES - OPEN BACK PLASMA / LCD BRACKETS

Sonora is pleased to introduce the SO and SOT series of UL approved, open-back Plasma and LCD brackets. All models feature convenient bubble level meters and large cable management cutouts that allow the brackets to be installed over electrical and custom wire wall plates. The fixed position SO boasts a low 1.2 inch profile, while the adjustable SOT is only 3 inches deep, despite having a 5° up to 15° down tilt range. To ensure a safe and secure installation, each unit features a simple locking system that includes padlocks.

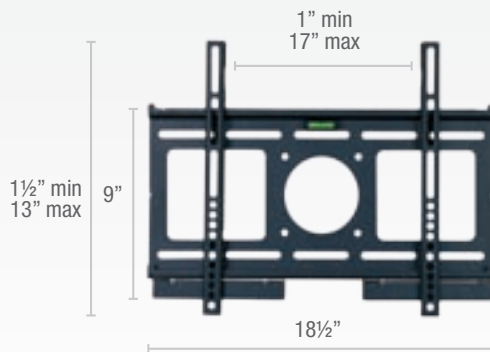


ACCORDION STYLE
three pivot point arms

FIXED

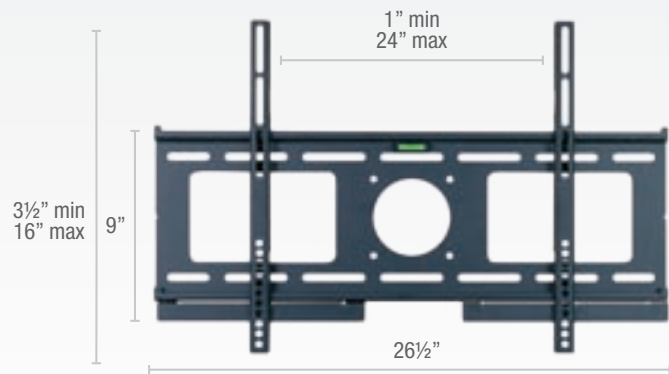
S043

Maximum bearing capacity **165 lbs**
Accommodates up to VESA **400 x 300**



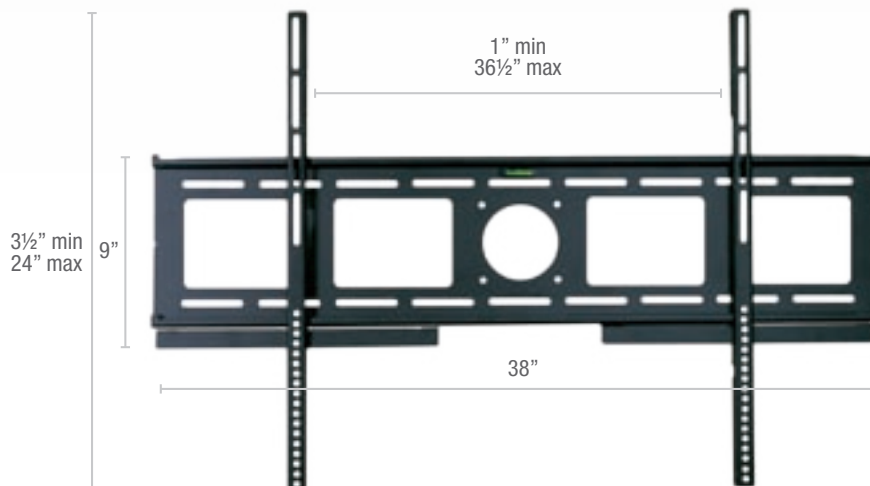
S064

Maximum bearing capacity **165 lbs**
Accommodates up to VESA **600 x 400**



S096

Maximum bearing capacity **165 lbs**
Accommodates up to VESA **900 x 600**



SO/SOT

