

wood + metal + glass

S52M50 - AUDIO/VIDEO

Modern, functional and elegant best describe this LCD/Plasma TV stand. Three oval shelves with contoured wood framing give this series an outstanding appeal. Available in three wood finishes and black tempered glass, this series gives the illusion that the shelves are floating in mid air. Despite this extraordinary design, this model is built with a strong metal frame that can accommodate the optional 173PE-N tilt and swivel pedestal bracket.

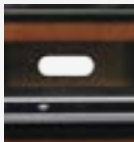


S52M50L

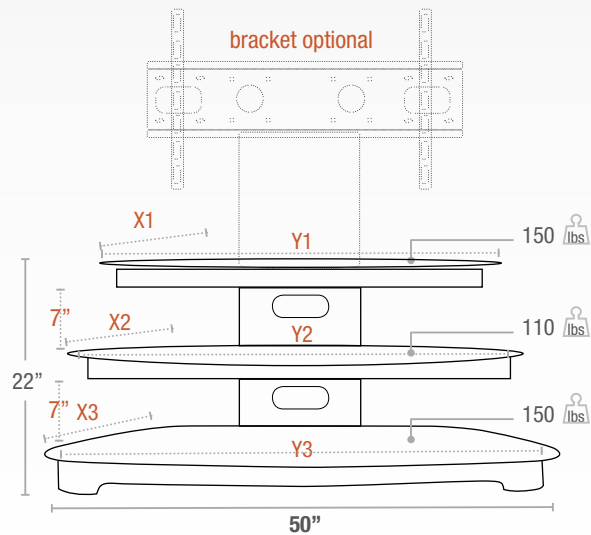
Shown with **optional** 173PE-N tilt and swivel pedestal bracket



OVAL SHELVES



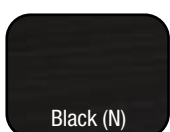
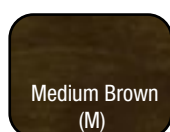
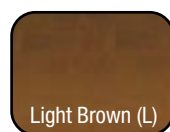
CABLE MANAGEMENT



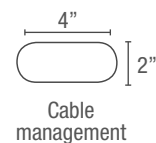
GLASS SHELVES



WOOD TRIM



Top Shelf thickness 8 mm
 Lower Shelf thickness 6 mm
 X1=15" X2=18" X3=22"
 Y1=40" Y2=45" Y3=50"



S52M50