

metal + glass

S31



S31P52N



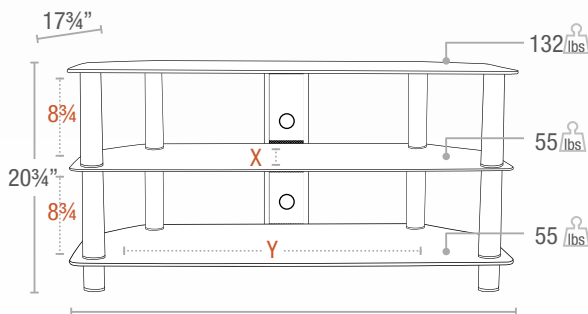
S31P32N

S31 SERIES - AUDIO/VIDEO

The S31 series is designed with esthetically appealing high gloss round metal posts and three black tempered glass shelves to provide a rich look and solid support for all your electronics. This series is available in three widths, a 32", 42" or 52" format to fit your TV perfectly and can conveniently be positioned along walls or in corners.

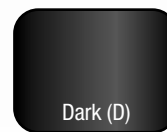


S31P42N

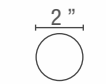
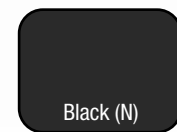


S31P32N: 31 1/2"
S31P42N: 41 1/2"
S31P52N: 51 1/2"

GLASS SHELVES



POSTS



Top Shelf thickness 8 mm
X= Usable Shelf Depth 15 3/4"

Lower Shelf thickness 6 mm
Y= Usable Shelf Width
25 1/4" - S31P32
35 1/2" - S31P42
45 1/4" - S31P52

metal + glass

S31 SERIES - AUDIO/VIDEO

The S31 audio version is available in two widths. A standard 27 inch and the wider 42 inch model both feature four shelves and are designed to accommodate audio equipment and display flat panel TVs at a higher level. This simple and appealing, high gloss, series can conveniently be positioned along walls or in corners.



CABLE MANAGEMENT

The S31 series rear panel wire management discretely hides cables.



LEVELING FEET

Supplied with rubber leveling feet.



CORNER PLACEMENT OPTION

The 45-degree wedge sides permit attractive corner placement.



S31A42N



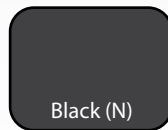
S31A27N

GLASSHELVES



Dark (D)

POSTS



Black (N)



Top View



Front Posts



Cable Management

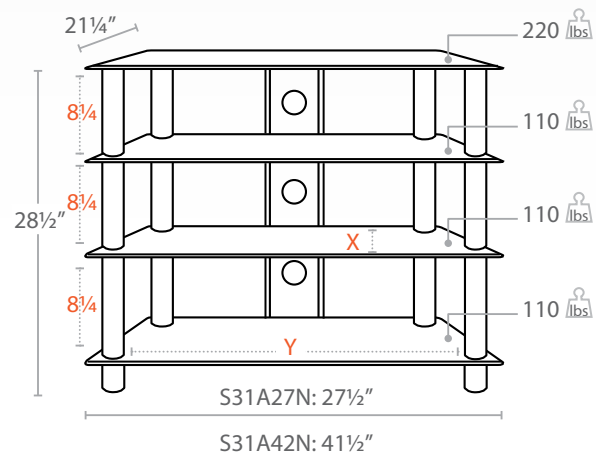
Top Shelf thickness 8 mm

Lower Shelf thickness 6 mm

X= Usable Shelf Depth 18 1/4"

Y= Usable Shelf Width 21 1/2" - S31A27N

Y= Usable Shelf Width 35 1/2" - S31A42N



S31