

# S20V54B

Sonora is pleased to introduce the new S20V54B. Designed to display TVs from a higher viewing platform of 32 inches high, the S20V54B can accommodate panels up to 55 inches in size. A classic heritage design with a suspended semi-open cabinet elegantly brings functionality and form together. The semi-open cabinet features two sliding doors that can either hide the electronic components or close off each of the accessory compartments to either end. The S20V54B is available in a rich real wood veneer and features a no tool assembly for quick and easy installation.

## No tool assembly



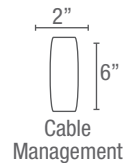
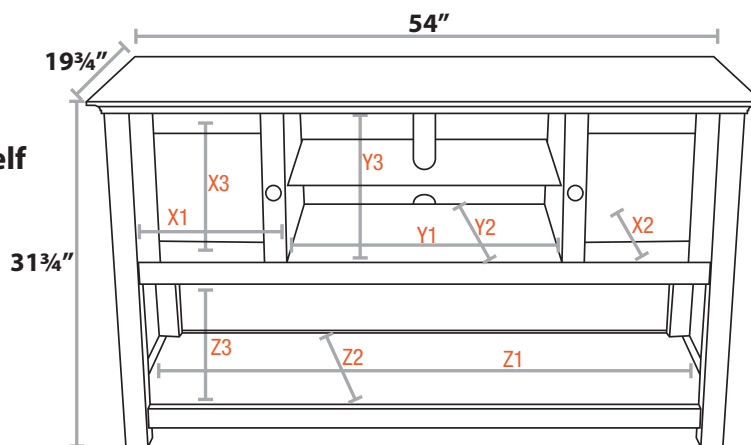
S20V54B

- No tools needed for assembly
- Real wood Veneer
- Extra thick glass shelf
- Sliding doors
- Cable management

AVAILABLE COLOR



Dark Brown (B)



- X1 = Usable Shelf Width = 13"
- X2 = Usable Shelf Depth = 14½"
- X3 = Usable Shelf Height = 13"
- Y1 = Usable Shelf Width = 23"
- Y2 = Usable Shelf Depth = 16"
- Y3 = Usable Shelf Height = 13"
- Z1 = Usable Shelf Width = 48"
- Z2 = Usable Shelf Depth = 18½"
- Z3 = Usable Shelf Height = 11½"

S20V54B

distributed in Canada by daveco (514) 738-2112 info@davecohi-fi.com  
distributed in the USA by OMAGE USA 1-877-212-3223 info@omageusa.com

DNPR151

SONORA®  
STANDS STRONG