

# wood - corner cut + doors

S18C

## S18C CORNER SERIES

Sonora is pleased to introduce a stunning real wood veneer corner unit series featuring tinted glass front doors. An adjustable middle shelf and wire management makes set-up neat and easy. The S18C series is available in two sizes, use either the 47" or the 63" wide model to properly fit that room where corner placement is a must.



FULL CORNER PLACEMENT



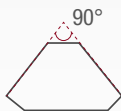
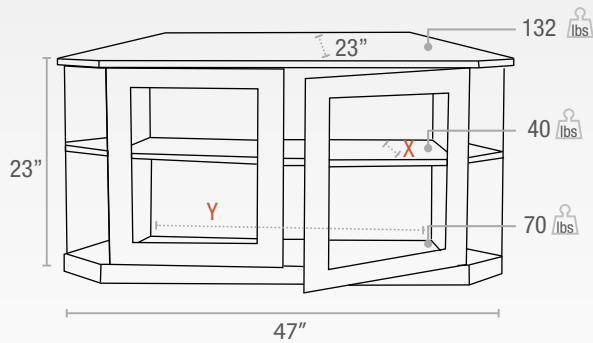
COMPONENT STORAGE



HIDDEN SPEAKER COMPARTEMENT  
(S18C63 model only)

AVAILABLE COLOR

Dark Brown (B)



Top view



Cable management

Top thickness 19 mm  
Lower Shelf thickness 15 mm  
X = Usable Shelf Depth 21"  
Y = Usable Shelf Width 35½"



S18C47B