

closed back wall brackets

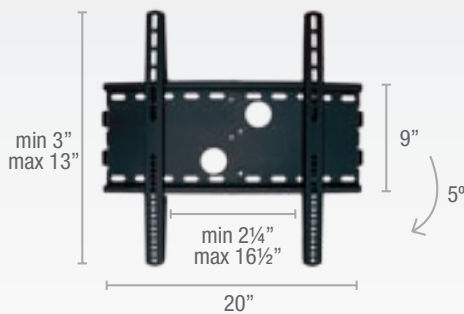
PW / PWT SERIES CLOSED BACK PLASMA / LCD BRACKETS

The Sonora PW and PWT series enable convenient flush mount of medium to large Plasma and LCD TVs. The PW series features a low 1 ¼" (3cm) profile while the adjustable PWT series are slightly more at a 3 ¼" (8cm) profile. A full 20° tilt can easily be selected with any of the PWT models while an optional 5° tilt can be chosen with the PW series. All models also feature convenient locking and wire management systems.

FIXED

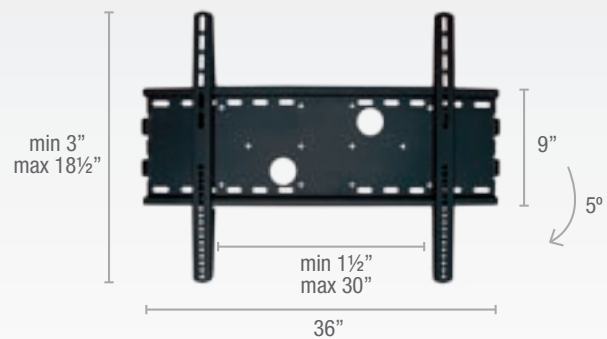
PW-42-N

Maximum bearing capacity **165 lbs**
Accommodates up to VESA **420 x 330**



PW-63-N

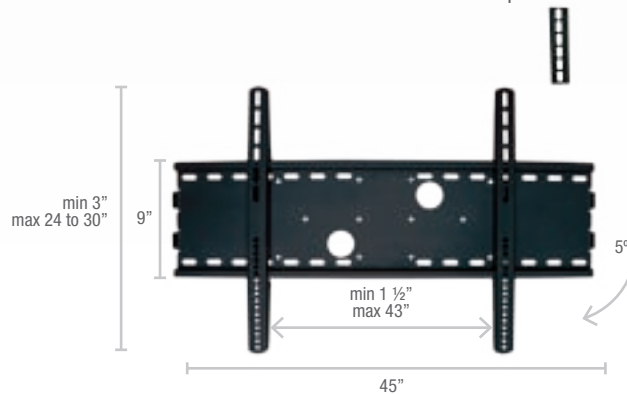
Maximum bearing capacity **165 lbs**
Accommodates up to VESA **860 x 470**



PW-70-N

Maximum bearing capacity **165 lbs**
Accommodates up to VESA **1100 x 730**

6" Extention adaptor included



PW/PWT
PLASMA / LCD