

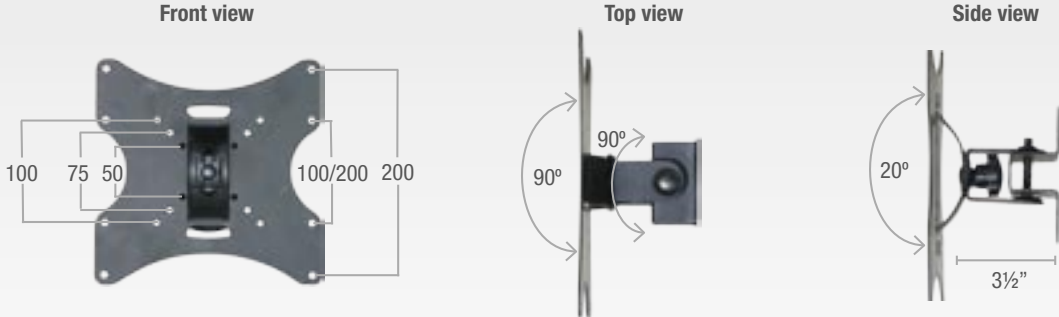
# extendable wall brackets

## LW SERIES - LCD BRACKETS

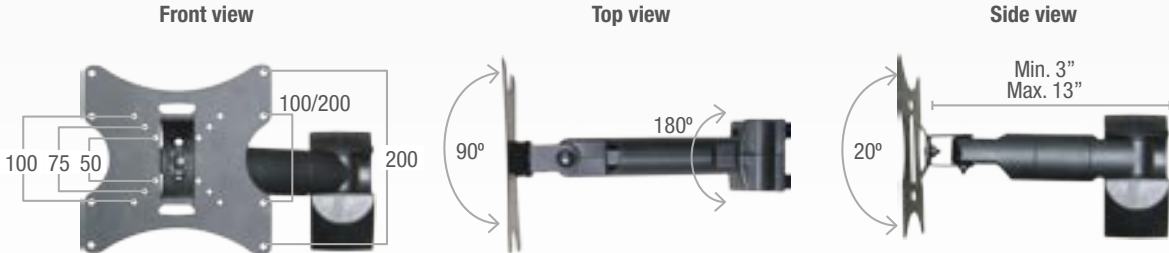
Sonora offers an abundance of wall mounting solutions. The LW1-36 will position an LCD close to the wall surface and will allow for left/right and up/down adjustments. When the LCD is positioned away from the wall, the LW2-36 will offer the same adjustments as the LW1-36 but on a two pivot point extension arm. If further extensions are required, or for around-the-corner viewing, the LW3-36 with a triple pivot extension arm will adjust to meet your needs. Both the LW2-36 and the LW3-36 are designed with attractive hardware covers to hide wires.

VESA Standard spacing 50, 75, 100/200, 200 mm. Maximum bearing capacity 44 lbs

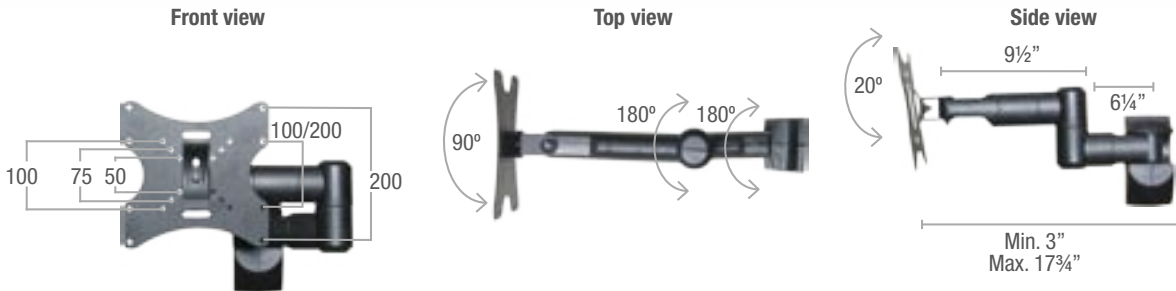
### LW1-36-N ADJUSTABLE WALL BRACKET



### LW2-36-N ADJUSTABLE AND EXTENDIBLE WALL BRACKET



### LW3-36-N ADJUSTABLE DOUBLE-EXTENDIBLE WALL BRACKET



LCD