

flat panel brackets - extendable ceiling bracket / ultra thin wall brackets

LCD BRACKETS

Sonora provides all types of wall and ceiling mounting solutions for Plasma and LCD installations. A low-profile wall flush mount is made easy and affordable with the VESA standard AM30 or the larger AM32. Likewise, the LC1-36 will make ceiling installation easy and ensure that your LCD panel will be safely mounted. For a professional look to any installation, use Sonora CM07 wire conduit (see page 49). Because conduits can be clipped together to cover any given distance, they make hiding unsightly wires quick and easy, with no mess to worry about.

LC1-36-N

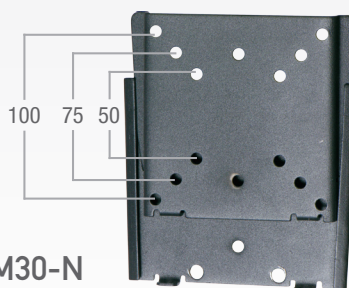
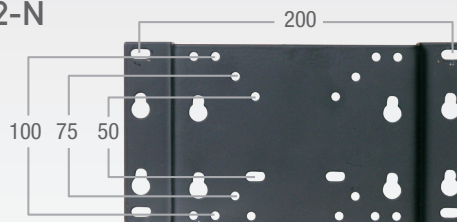
ADJUSTABLE
CEILING
BRACKET



Maximum bearing capacity 44 lbs
VESA Standard spacing 50, 75, 100/200, 200 mm

AM32-N

ULTRA FLUSH
WALL BRACKETS



AM30-N

Maximum bearing capacity 66 lbs
VESA Standard spacing:
AM30- 50, 75, 100 mm
AM32- 50, 75, 100/200 mm

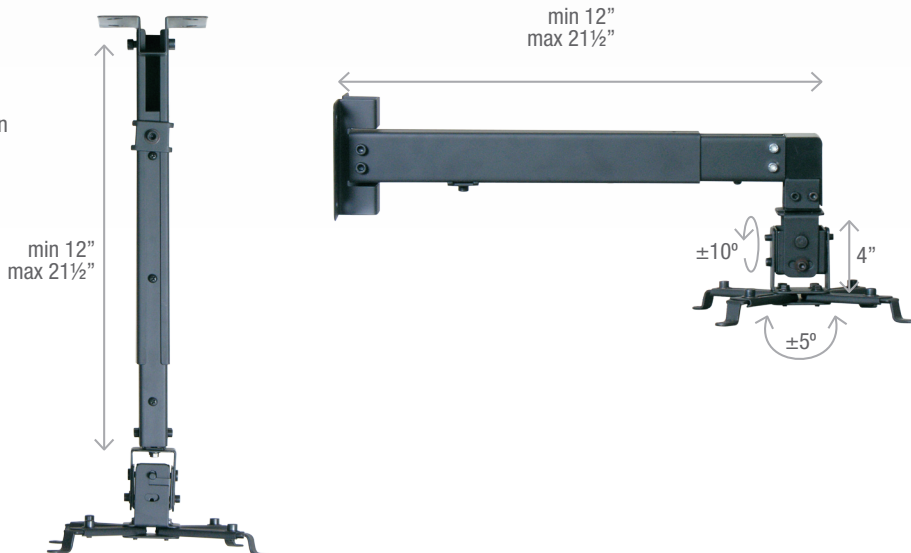
extendable projector bracket

PJ-44-N

Versatile and equipped with a variety of adapter spacers, the Sonora PJ44 offers an ideal solution for mounting a projector on the wall or ceiling.

CEILING OR WALL-MOUNT
PROJECTOR BRACKET

Maximum bearing capacity 44 lbs



LCD