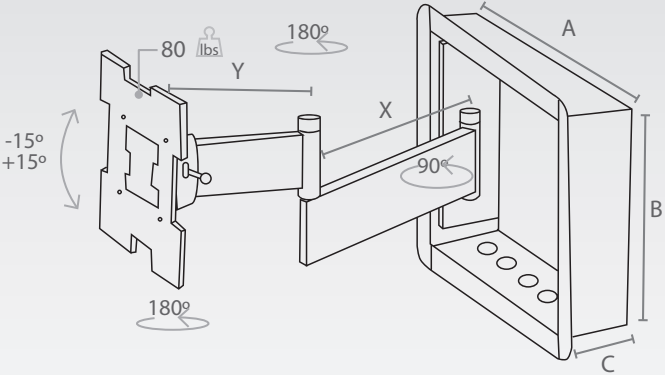


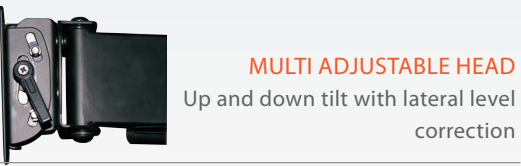
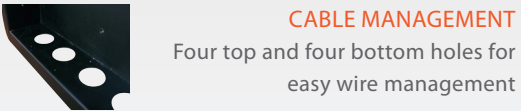
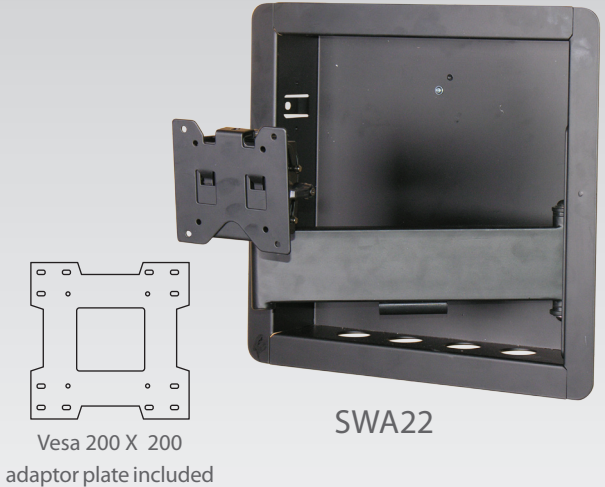
# extendable in-wall bracket

## SWA22

The Sonora SWA22 is an in-wall Plasma/ LCD bracket that supports up to 80 lbs and extends out up to 20". The folding arm is designed to retract completely into the bracket box (installed between the studs) to hold the TV absolutely flush to the wall. Left-right rotation and up-down tilt adjustment make this bracket both versatile and easy to use.

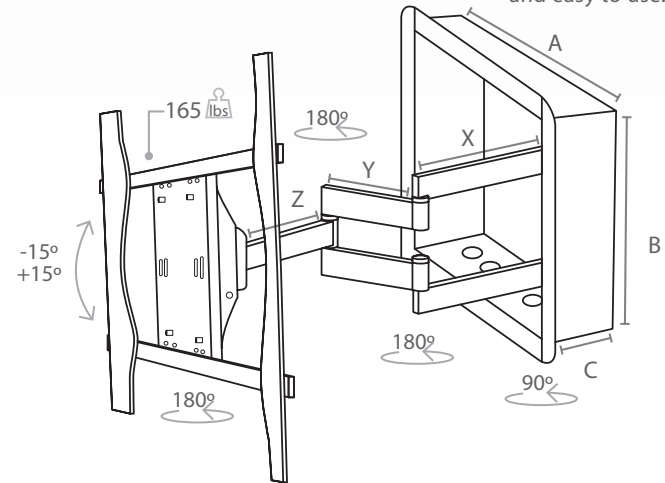


Box Dimensions	Arm Dimensions
A= Width 14"	X= 12¼"
B= Height 11"	Y= 8¼"
C= Depth 3¾"	

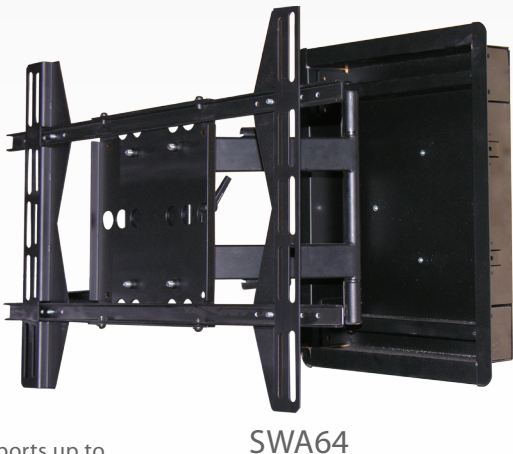


## SWA64

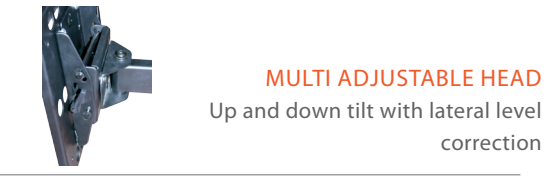
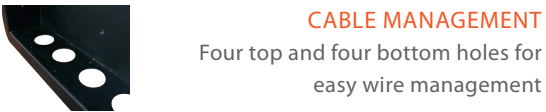
The Sonora SWA64 is an in-wall plasma/ LCD bracket that supports up to 165 lbs and extends out up to 30". The folding arm is designed to retract completely into the bracket box (installed between the studs) to hold the TV absolutely flush to the wall. Left-right rotation and up-down tilt adjustment make this bracket both versatile and easy to use.



Box Dimensions	Arm Dimensions
A= Width 14"	X= 12¼"
B= Height 21½"	Y= 11"
C= Depth 3¾"	Z= 8"



Supports up to 600X400 (Vesa)



SWA & SWB