

# S60V48

## No tool assembly



**S60V48B**  
Dark brown

- No tools needed for assembly
- Adjustable shelves
- Cable management



**S60V48N**  
Black

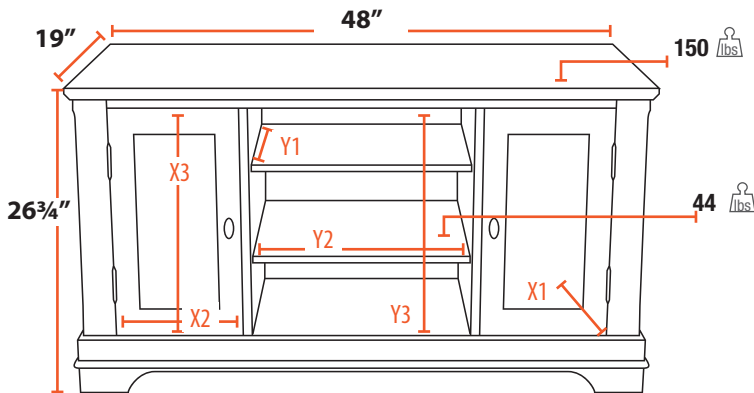
AVAILABLE COLORS



Black (N)



Dark Brown (B)



- X1 = 16½" Usable Shelf Depth
- X2 = 10½" Usable Shelf Width
- X3 = 19¾" Usable Shelf Height
- Y1 = 17¼" Usable Shelf Depth
- Y2 = 18¼" Usable Shelf Width
- Y3 = 19¾" Usable Shelf Height

S60V48

distributed in Canada by daveco (514) 738-2112 info@davecohi-fi.com  
distributed in the USA by OMAGE USA 1-877-212-3223 info@omageusa.com

DNPR152

**SONORA**<sup>®</sup>  
STANDS STRONG