

# metal + glass + wood

## 195 SERIES

The 195 series is a stunning line of glass, metal and cherry wood or gloss black finish featuring gently curved and bevelled tempered glass set within a smartly tapered frame design that enables convenient corner placement. All middle shelves are easily adjustable and the aesthetically appealing wire management rear panel will simplify hiding cables.

195

### ADJUSTABLE SHELVES

All middle shelves easily adjust to preferred height.



### DETAILED GLASS DESIGN

The extra thick 10mm top shelf and the 8mm lower shelves are all beautifully curved and bevelled.



### TAPERED DESIGN

Enables both corner and along-wall placement.



195A4-D-N



195A4-D-AB



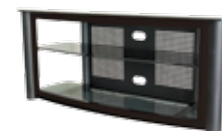
195PL-D-AB



195PL-D-N



195V-D-N



195V-D-AB

### GLASS SHELVES



### POST

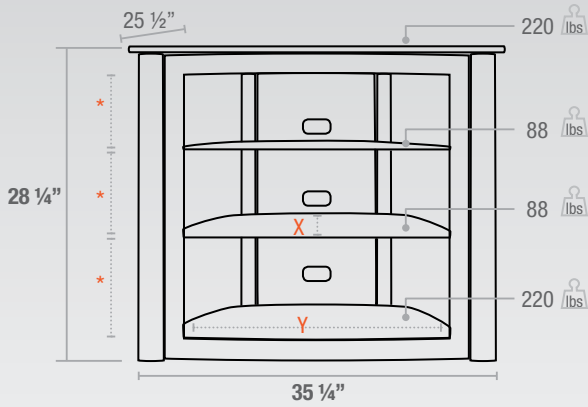


### WOOD TRIM



# metal + glass + wood

## 195A4



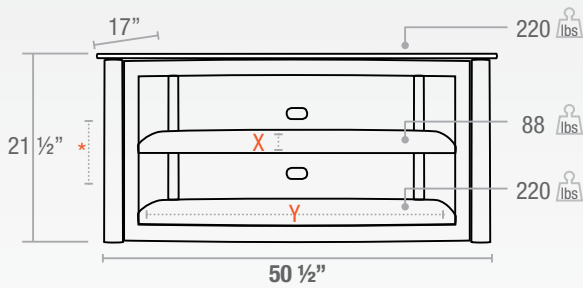
Top Shelf thickness 10 mm  
Lower Shelf thickness 8 mm

\*= Middle shelves are adjustable by 2 1/2 inch increments

X= Usable Shelf Depth 19 1/2" Y= Usable Shelf Width 24 1/2"



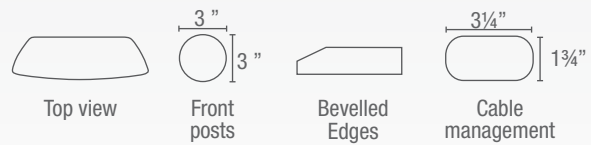
## 195PL



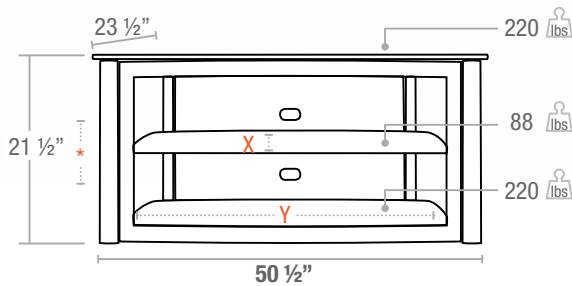
Top Shelf thickness 10 mm  
Lower Shelf thickness 8 mm

\*= Middle shelf is adjustable by 2 1/2 inches

X= Usable Shelf Depth 12" Y= Usable Shelf Width 39"



## 195V



Top Shelf thickness 10 mm  
Lower Shelf thickness 8 mm

\*= Middle shelf adjustable by 3 inches

X= Usable Shelf Depth 18 3/4" Y= Usable Shelf Width 39"

