

metal + glass



190PL42-D-N

SLIM DESIGN 17" DEEP



STANDARD DESIGN 22 1/2" DEEP 190V42-D-N

190 SERIES - AUDIO/VIDEO

The 190 series lacquered high-gloss metal frame and contoured glass brings opulence into any room. Its uniquely shaped oval front post and the wedge stand design are the signature features of this series, which is now available in a 42" wide format by 17" deep for plasma or 22 1/2" deep for video. The tempered glass is elegantly cut to contour the posts, and the 45 degree wedge sides permit convenient corner placement. The adjustable middle shelf simplifies equipment placement, and the wire management rear panel ensures a sleek wireless look.

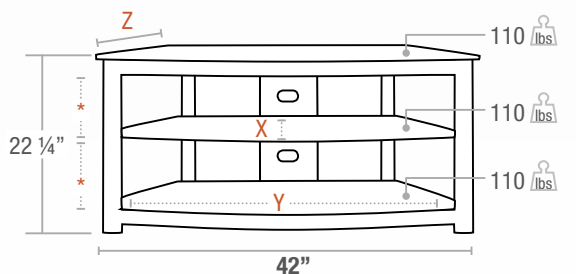
ELEGANT HIGH-GLOSS FINISH

High-gloss oval posts are framed by contoured glass with rounded corners.



CORNER PLACEMENT OPTION

The 45-degree wedge sides permit attractive corner placement.



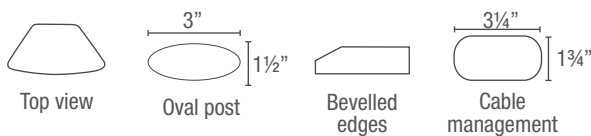
Top Shelf thickness 10 mm Lower Shelf thickness 8 mm

* = Middle shelf is adjustable by 2 1/2 inch increments

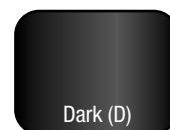
X = Usable Shelf Depth 13 1/2" (190PL42) 19" (190V42)

Y = Usable Shelf Width 34"

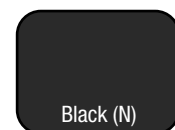
Z = 17" (190PL42) 22 1/2" (190V42)



GLASS SHELVES



POSTS



190

metal + glass

190 SERIES - AUDIO/VIDEO

The lacquered high-gloss metal frame and contoured glass of the 190 series brings opulence into any room. Its uniquely shaped oval front posts and wedge stand design are the signature features of this series, which is available in a four-shelf audio format and a in three-shelf video format. The tempered glass is elegantly cut to complement the contour of the posts, while the 45-degree wedge sides permit corner placement. Adjustable middle shelves make it easy to position equipment, and the wire management rear panel ensures a sleek wireless look.



190A4-D-N



SLIM DESIGN 17" DEEP 190PL-D-N



STANDARD DESIGN 22½" DEEP 190V-D-N

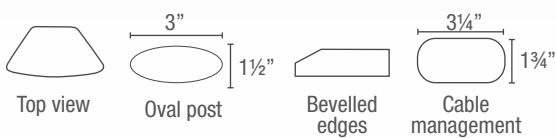
190



ELEGANT HIGH-GLOSS FINISH
High-gloss oval posts are framed by contoured glass with rounded corners.



CORNER PLACEMENT OPTION
The 45-degree wedge sides permit attractive corner placement.



Top Shelf thickness 10 mm Lower Shelf thickness 8 mm

*= All shelves are adjustable by 2½ inch increments

190A4

X= Usable Shelf Depth 17½" Y= Usable Shelf Width 27½"

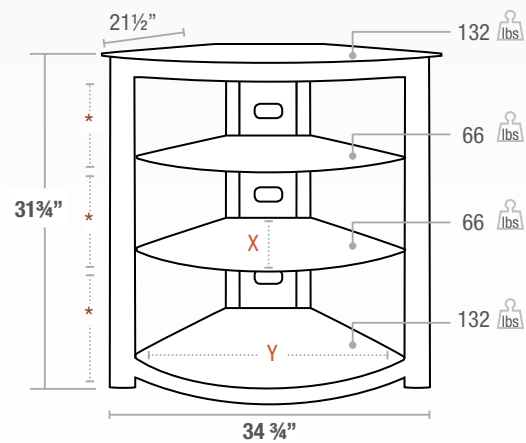
190PL

X= Usable Shelf Depth 13½" Y= Usable Shelf Width 42¼"

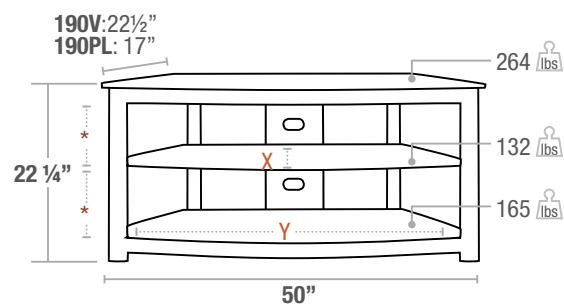
190V

X= Usable Shelf Depth 19" Y= Usable Shelf Width 42¼"

190A4



190V & 190PL



metal + glass



190M65-D-N

190 SERIES - AUDIO/VIDEO

The 190M65 with its high-gloss metal frame and contoured glass of brings opulence into any room. Uniquely shaped oval front posts and a corner wedge design are signature features of this series, which is now available in a 65" wide, and 20" deep format. The tempered glass is elegantly cut to contour of the posts, and the 45 degree wedge sides permit convenient corner placement. The adjustable middle shelf simplifies equipment placement, and the wire management rear panel ensures a sleek wireless look.

190

ELEGANT HIGH-GLOSS FINISH

High-gloss oval posts are framed by contoured glass with rounded corners.

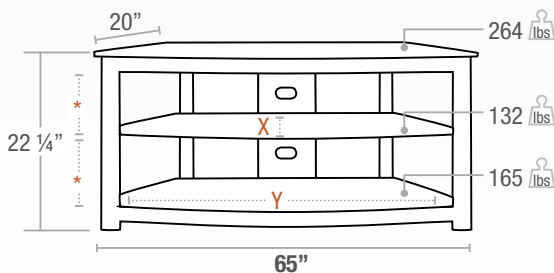


DISCREET SUPPORT FOR WIDE CENTER SHELF



CORNER PLACEMENT OPTION

The 45-degree wedge sides permit attractive corner placement.

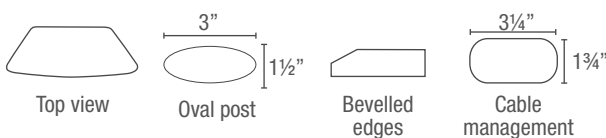


Top Shelf thickness 10 mm Lower Shelf thickness 8 mm

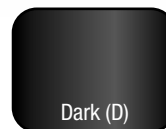
* = All shelves are adjustable by 2 1/2 inch increments

X = Usable Shelf Depth 16"

Y = Usable Shelf Width 57"



GLASS SHELVES



POSTS

