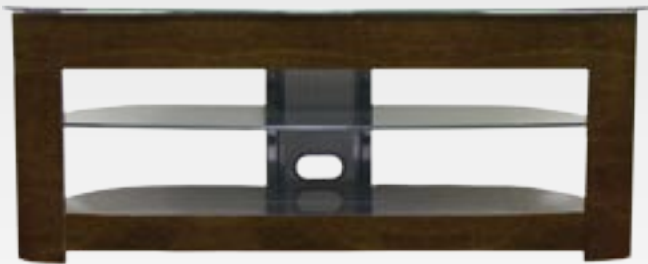


wood + metal + glass - pedestal option

173PL - AUDIO/VIDEO

SONORA is pleased to introduce the 173PL40 and 173PL49. Both are beautifully crafted wood and glass video stands that are reinforced with a metal structure. A precision curved wood front gives the 173 series an outstanding and popular appeal. This series is available in an elegant medium brown (MB) or gloss black finish (N). To make things even better, an optional 173PE-N plasma tilt and swivel support bracket is available and easily attaches at the rear to hold a flat panel TV weighing up to 110 lbs.



173PL49-D-MB
49" wide



173PL40-D-N
40" wide
Shown with **optional** 173PE-N
tilt and swivel pedestal bracket

173

REAL WOOD FRONT



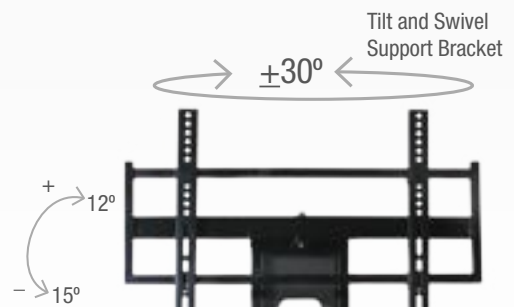
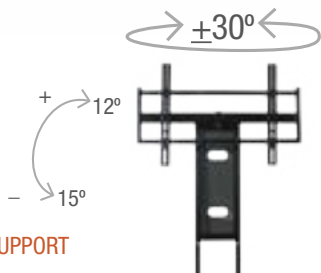
CONVENIENT CABLE MANAGEMENT



STURDY METAL FRAME



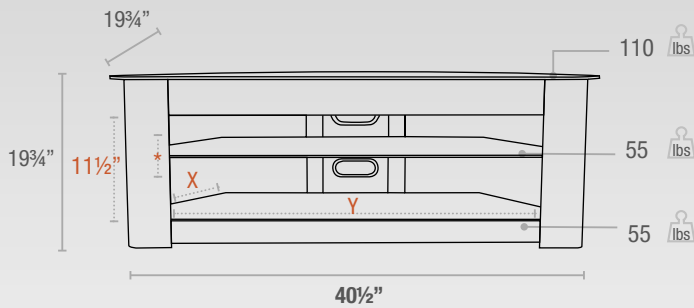
OPTIONAL TILT & SWIVEL SUPPORT



173PE-N
Optional Plasma/LCD
Support Bracket

wood + metal + glass - pedestal option

173PL40



Middle and Top Shelf thickness 8mm
Lower Shelf thickness 5mm

*= Middle shelf are adjustable by 1 inch increments

X = Usable Shelf Depth 17"

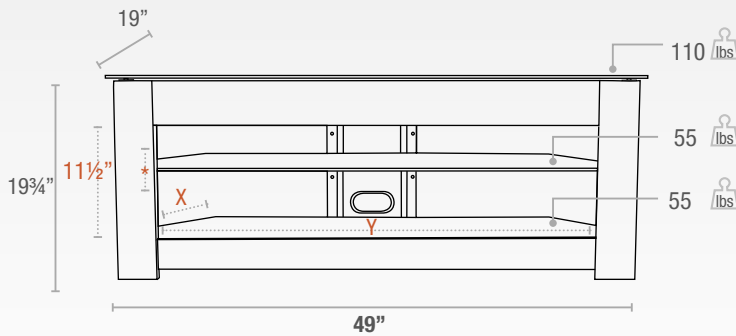
Y = Usable Shelf Width 32"

WOOD TRIM

Medium Brown (MB)

Black (N)

173PL49



Middle and Top Shelf thickness 8mm
Lower Shelf thickness 8mm

*= Middle shelf are adjustable by 1 inch increments

X = Usable Shelf Depth 17"

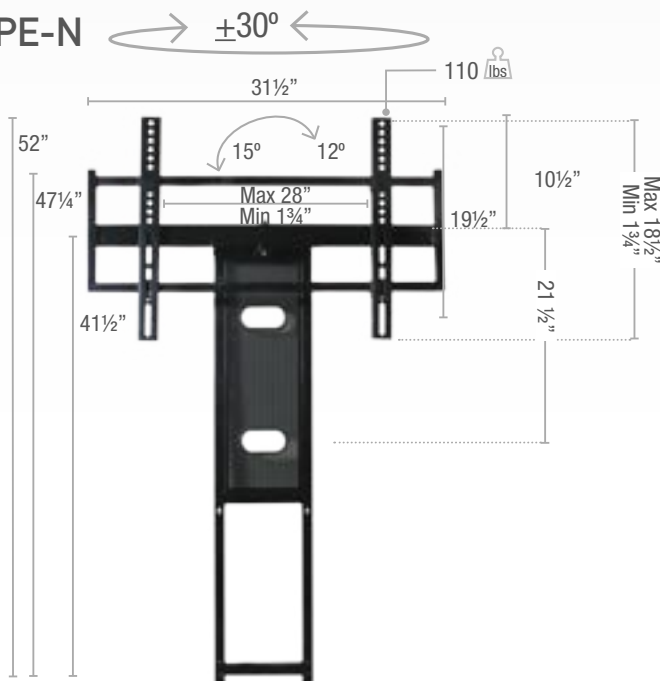
Y = Usable Shelf Width 40"

WOOD TRIM

Medium Brown (MB)

Black (N)

173PE-N



COLOUR

Black (N)

Can also be used with models S51 / S52 series, found on page 42 / 43.