

wood - open + doors

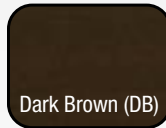
136 SERIES - AUDIO/VIDEO STANDS

The distinctive and modern design of the 136PL Series will beautifully display and support your Plasma or LCD while concealing other electronics behind glass doors. The 136 series is a solid structure that features graceful curves, smooth angles and contoured edges. The wood top surface is free of hardware, resulting in a clean, contemporary look, while an open center shelf allows for easy placement of a center channel speaker.



136PL40-DB
40" wide top

AVAILABLE COLORS



ANGLED AND CONTOURED

High gloss solid wood front posts create a beautiful look.



CABLE MANAGEMENT

Aesthetically appealing and effective cable management is provided for each shelf.



CLOSED DESIGN

Elegant front doors with glass windows conceal electronic components.



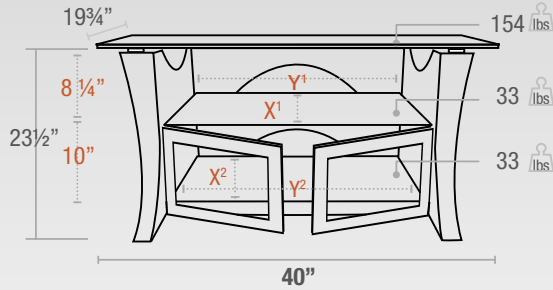
136PL50-N
50" wide top



136PL60-DM
60" wide top

wood - open + doors

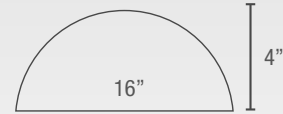
136PL40



Top Shelf thickness 24 mm
 Lower Shelf thickness 20 mm
 Middle Shelf thickness 20 mm
 X¹ = Usable Shelf Depth 17 3/4" Y¹ = Usable Shelf Width 28"
 X² = Usable Shelf Depth 17 3/4" Y² = Usable Shelf Width 26 1/2"

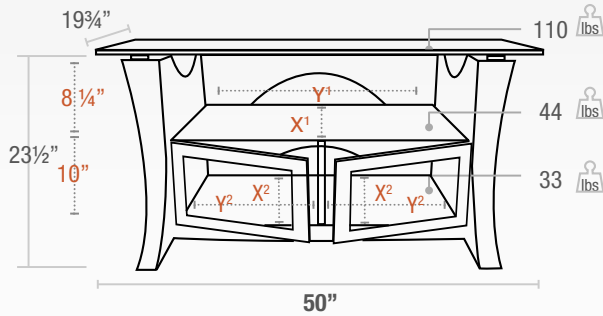


Top view



Cable management

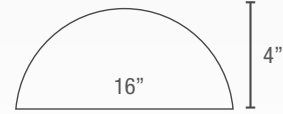
136PL50



Top Shelf thickness 24 mm
 Lower Shelf thickness 20 mm
 Middle Shelf thickness 20 mm
 X¹ = Usable Shelf Depth 17 3/4" Y¹ = Usable Shelf Width 38"
 X² = Usable Shelf Depth 17 3/4" Y² = Usable Shelf Width 17 3/4" x 2

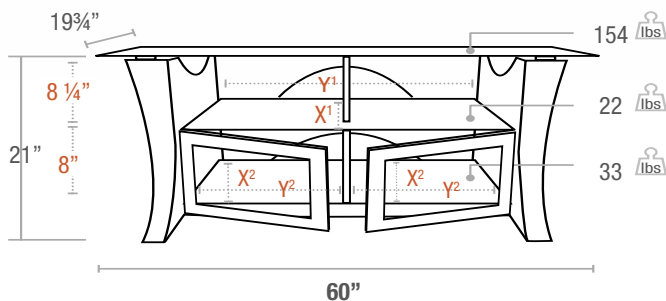


Top view



Cable management

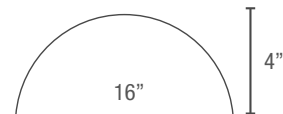
136PL60



Top Shelf thickness 24 mm
 Lower Shelf thickness 20 mm
 Middle Shelf thickness 20 mm
 X¹ = Usable Shelf Depth 17 3/4" Y¹ = Usable Shelf Width 22" x 2
 X² = Usable Shelf Depth 17 3/4" Y² = Usable Shelf Width 21 1/4" x 2



Top view



Cable management