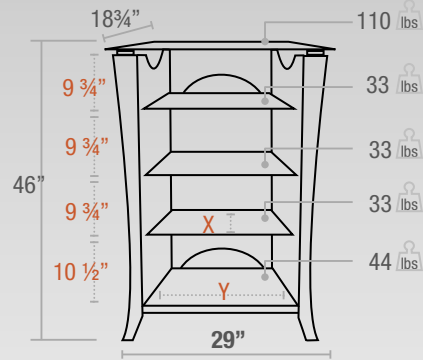


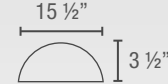
wood + glass



135A5



Top view



Cable management

Top Shelf thickness 6 mm Middle Shelf thickness 6 mm
 Lower Shelf thickness 30 mm
 X= Usable Shelf Depth 16 1/2" Y= Usable Shelf Width 20 1/2"

135 SERIES - AUDIO/VIDEO

The distinctive and modern design of the 135PL49 will beautifully display and support your Plasma or LCD and other electronics. The 135 series, produced in wood and dark tint glass, is a solid structure that features graceful curves, smooth angles and contoured edges. The top surface is free of hardware, resulting in a clean, contemporary look. Furthermore, arch designs in heavy-gauge rear wood panels double as an effective cable management system. The matching 135A5 audio stand is a perfect complement to its video counterpart.

ANGLED AND CONTOURED

Solid wood front post design features gently angled and contoured characteristics.



CLEAN LINES

Dark tinted, tempered glass top shelf has smooth rounded corners and is securely supported from below.



CABLE MANAGEMENT

Aesthetically appealing and effective cable management is provided for each shelf.



GLASS SHELVES



Dark Glass (D)

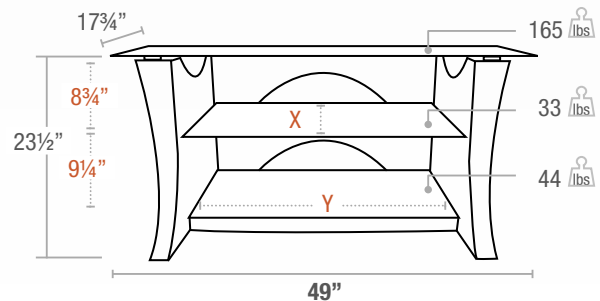
POSTS



Black (N)



135PL49



Top view



Cable management

Top Shelf thickness 8 mm Middle Shelf thickness 6 mm
 Lower Shelf thickness 15 mm
 X= Usable Shelf Depth 14 1/2" Y= Usable Shelf Width 34"