

metal + glass - modular

127 SERIES - AUDIO/VIDEO

The 127A is a precision built, modular, four-shelf audio stand made of dark tempered glass and metal. A vibration dampening design has a three-post frame resting on adjustable spikes at each level. Glass shelves are securely set on triangular supports and stylishly positioned within the post structure. The 127A stand is easy to assemble and its four shelves may be stacked to any desired height combination.



127A-D-N

ANTI-VIBRATION SPIKES

Pin-point precision spikes align shelves and dampen unwanted vibrations.



TEMPERED GLASS

Stylish dark tempered glass accentuates equipment.



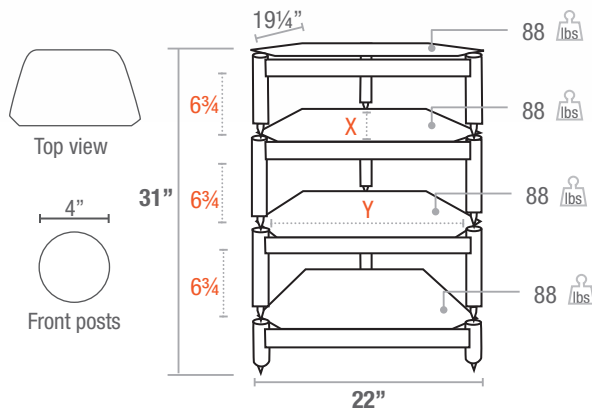
MODULAR DESIGN

Design enables various stacking options.



Top Shelf thickness 8 mm
X= Usable Shelf Depth 17½"

Lower Shelf thickness 8 mm
Y= Usable Shelf Width 19"

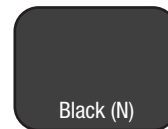


GLASS SHELVES



Dark (D)

POSTS



Black (N)