

## wood + metal

### 125 SERIES - AUDIO/VIDEO

The 125 series has a sleek three or five-post audio/video stands featuring gloss black contoured shelves. An elegant post design equipped with both floor spikes and rubber levelling feet sets these entry level stands apart from the ordinary. This series is shaped to be placed along a wall or corner fitted. It also features a discreet cable management system that easily conceals unsightly wires.

#### CONTOURED BEVELLED SHELVES

The shelves of the 125 series are both contoured and bevelled for an elegant appearance.



#### CABLE MANAGEMENT

The 125 series rear support post serves as a conduit to conceal wires.



#### FLOOR SPIKES AND LEVELLING FEET

The 125 series comes equipped with both floor spikes and rubber levelling feet.

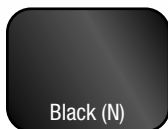


125A-N-N



125V-N-N

#### WOOD SHELVES

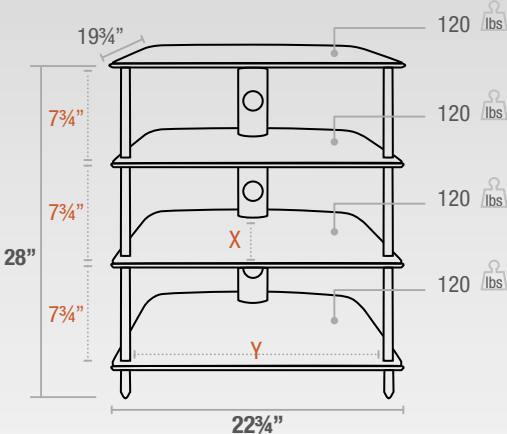


#### POSTS

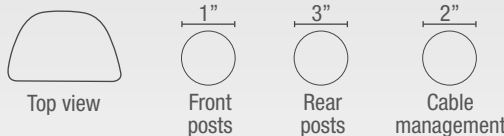


125PL48-N-N

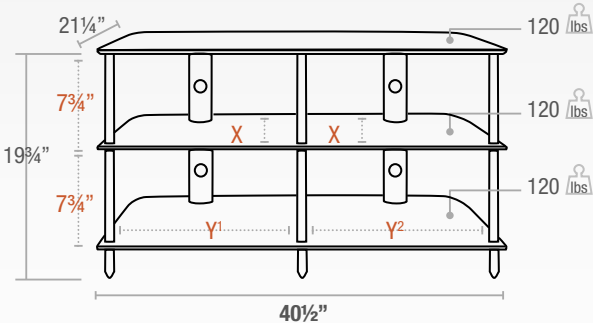
125A



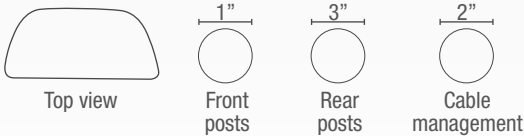
Top Shelf thickness 19 mm  
 Lower Shelf thickness 19 mm  
 X= Usable Shelf Depth 16 1/4 " Y= Usable Shelf Width 19 1/4 "



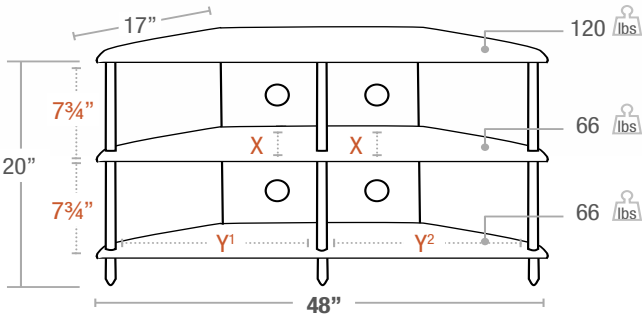
125V



Top Shelf thickness 16 mm  
 Lower Shelf thickness 16 mm  
 X= Usable Shelf Depth 17" Y1= Usable Shelf Width 18"  
 Y2= Usable Shelf Width 18"



125PL48



Top Shelf thickness 16 mm  
 Lower Shelf thickness 16 mm  
 X= Usable Shelf Depth 15 3/4" Y1= Usable Shelf Width 21 1/2"  
 Y2= Usable Shelf Width 21 1/2"

