

metal + glass

122 SERIES - AUDIO/VIDEO

The 122PL Plasma/LCD series features a 2" square post metal frame and curved tempered glass design that provides a rich look and solid support for your electronics. All middle shelves are conveniently adjustable to meet your equipment spacing requirements while rear panels provide quick and easy wire management. All models are available in a luxurious black gloss.

122

STYLISH GLASS

Curved black tempered glass shelves present clean, elegant lines.



LEVELLING FEET

All models of the 122PL series are supplied with rubber leveling feet.



122PL50-D-N



122PL55-D-N



122PL65-D-N

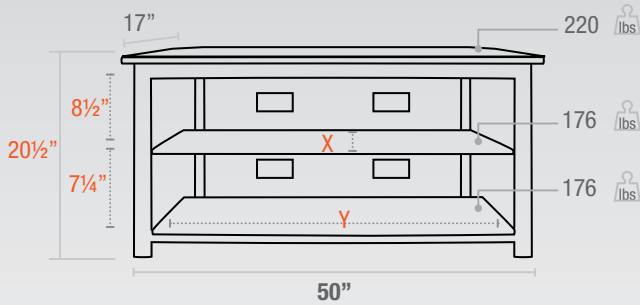
GLASS SHELVES



POSTS

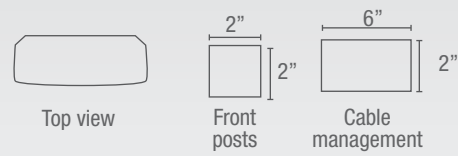


122PL50

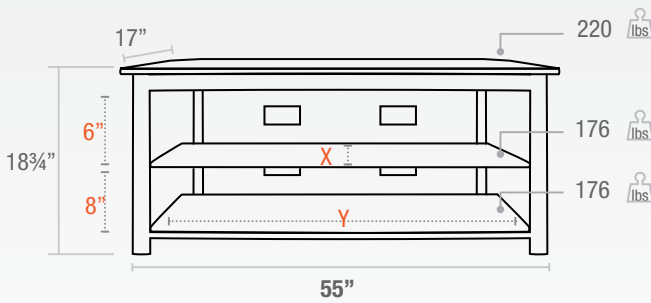


Top Shelf thickness 8 mm
Lower Shelf thickness 6 mm

X= Usable Shelf Depth 14 1/4" Y= Usable Shelf Width 41 1/2"

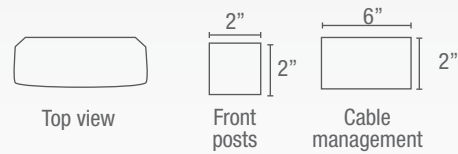


122PL55

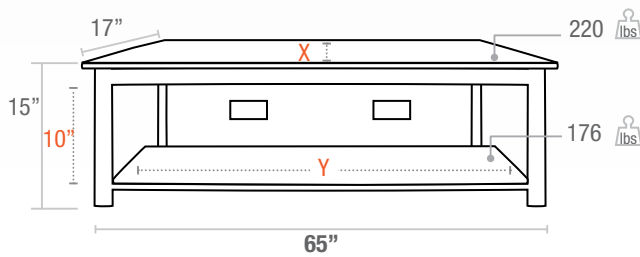


Top Shelf thickness 8 mm
Lower Shelf thickness 6 mm

X= Usable Shelf Depth 14 1/4" Y= Usable Shelf Width 46 1/2"

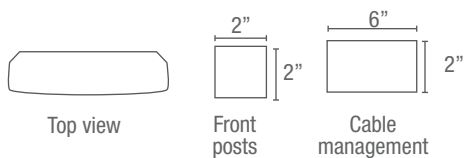


122PL65



Top Shelf thickness 8 mm
Lower Shelf thickness 6 mm

X= Usable Shelf Depth 14 1/4" Y= Usable Shelf Width 56 3/4"



metal + glass

122 SERIES - AUDIO/VIDEO

The 122PL Plasma/LCD series features a 2" square post metal frame and curved tempered glass design that provides a rich look and solid support for your electronics. All middle shelves are conveniently adjustable to meet your equipment spacing requirements, while rear panels provide quick and easy wire management. The 122PL series is available in a luxurious black gloss.

122

STYLISH GLASS

Curved black tempered glass shelves present clean, elegant lines.



LEVELLING FEET

All models of the 122PL series are supplied with rubber leveling feet.



122PL30-D-N



122PL35-D-N

GLASS SHELVES



Dark (D)

POSTS



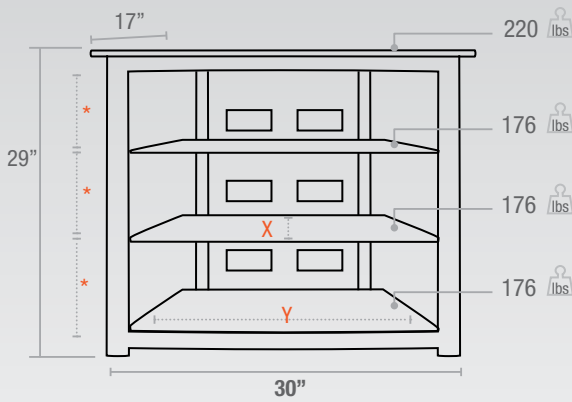
Black (N)



122PL40-D-N

metal + glass

122PL30

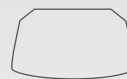


Top Shelf thickness 8 mm

Lower Shelf thickness 6 mm

*= All shelves are adjustable by 2½ inch increments

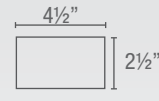
X= Usable Shelf Depth 14" Y= Usable Shelf Width 21¾"



Top view

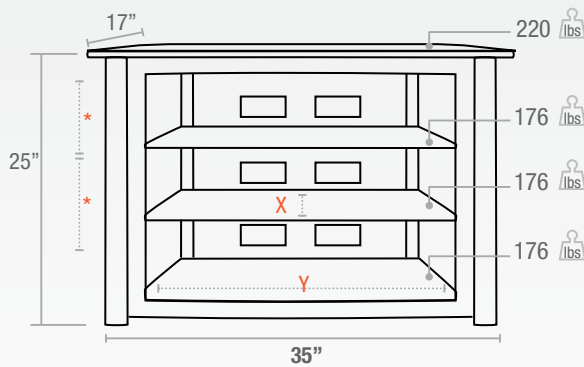


Front posts



Cable management

122PL35



Top Shelf thickness 8 mm

Lower Shelf thickness 6 mm

*= All shelves are adjustable by 2½ inch increments

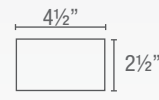
X= Usable Shelf Depth 14" Y= Usable Shelf Width 26½"



Top view

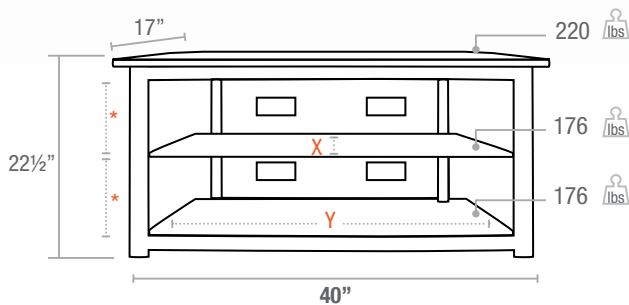


Front posts



Cable management

122PL40



Top Shelf thickness 8 mm

Lower Shelf thickness 6 mm

*= All shelves are adjustable by 2½ inch increments

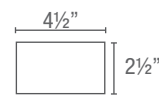
X= Usable Shelf Depth 14" Y= Usable Shelf Width 31½"



Top view



Front posts



Cable management

metal + glass

122 SERIES - AUDIO/VIDEO

The 122 series featuring a 2" square post metal frame and black curved tempered glass provides a rich look and solid support for your electronics. All middle shelves are conveniently adjustable to meet your equipment spacing requirements, while a rear panel provides quick and easy wire management. The 122 series is simple to assemble and is designed to be both sturdy and sway proof even at the 122A6 level.

122

STYLISH GLASS

Curved black tempered glass shelves present clean, elegant lines.



CABLE MANAGEMENT

The 122 series wire management panel discreetly hides cables.

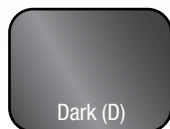


LEVELLING FEET

All models of the 122 series are supplied with rubber leveling feet.



GLASS SHELVES



Dark (D)

POSTS



Black (N)



122A4-D-N



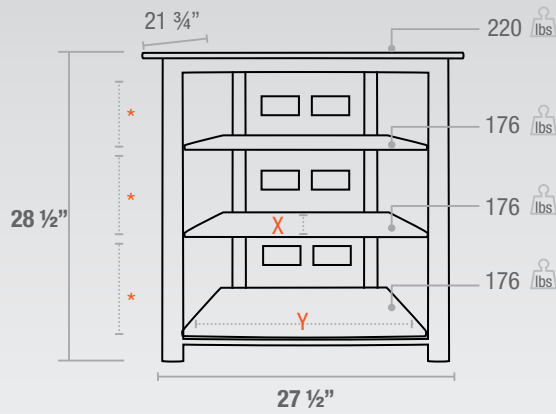
122A6-D-N



122V-D-N

metal + glass

122A4

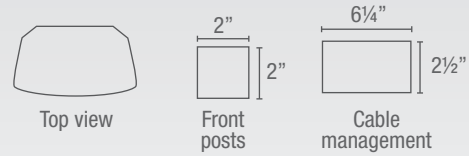


Top Shelf thickness 8 mm

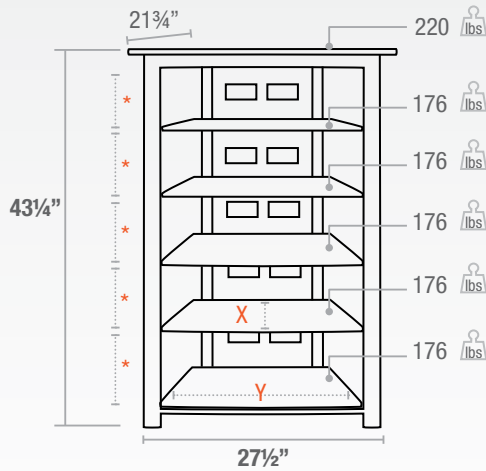
Lower Shelf thickness 6 mm

*= Middle shelves are adjustable by 3 inch increments

X= Usable Shelf Depth 19" Y= Usable Shelf Width 19 1/4"



122A6

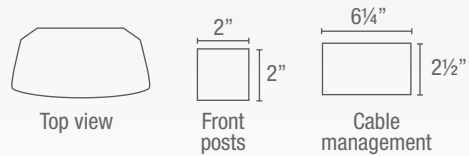


Top Shelf thickness 8 mm

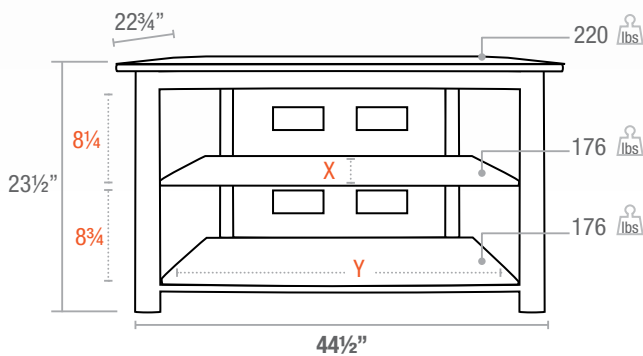
Lower Shelf thickness 6 mm

*= Middle shelves are adjustable by 3 inch increments

X= Usable Shelf Depth 19" Y= Usable Shelf Width 19 1/4"



122V



Top Shelf thickness 8 mm

Lower Shelf thickness 6 mm

X= Usable Shelf Depth 20" Y= Usable Shelf Width 36"

